

ZEUS SQ

TECHNICAL SPECIFICATIONS

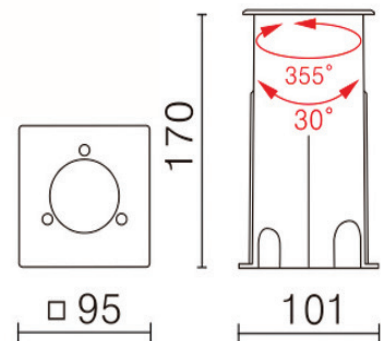


SVL Lighting



ROHS CE IP67

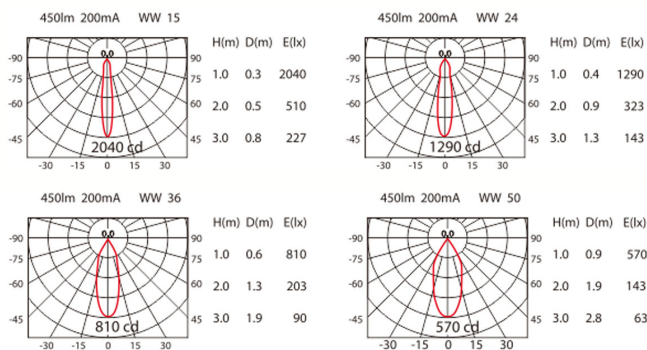
- Adjustable Exterior Inground Uplight
- 316 Stainless Steel Cover with Die Cast Body
- IP67/68 1M, Static Force 20KM and IK10 protection
- Deep Conical Reflector provides low glare
- 355° rotation with 30° Tilt
- Honey Comb, Elliptical Lens accessories available
- H05RN-F1-3G Cable 1000mm
- Ideal for landscape , walkways and wall washing



CODE	WATTS	CRI	COLOUR TEMP	LUMENS
ZEU33SQ	3.4W	>80	3000K	450lm
ZEU34SQ	3.4W	>80	4000K	450lm

POWER CONSUMPTION	3.4 Watts
IP RATING	IP67/IP68. Force 20KN & IK10
LUMINOUS FLUX	450 lumens
EFFICACY	130 lm/w
BEAM ANGLE	15°, 24°, 36° & 50°
TILT	355° rotation with 30° tilt
COLOUR TEMPERATURE	3000k & 4000K
CRI	>85
DIMENSIONS	95mm x 95mm x 170mm
POWER FACTOR	>0.90
POWER SUPPLY	100-240V 50-60Hz
LIFE SPAN	50,000 Hrs

LIGHT DISTRIBUTION



AVAILABLE ACCESSORIES



* IES files are available on request