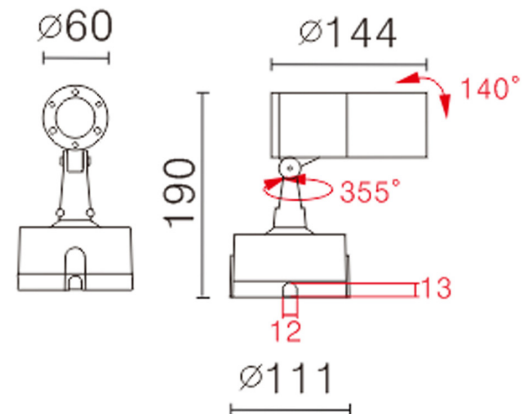


# HERMES A

## TECHNICAL SPECIFICATIONS



SVL Lighting



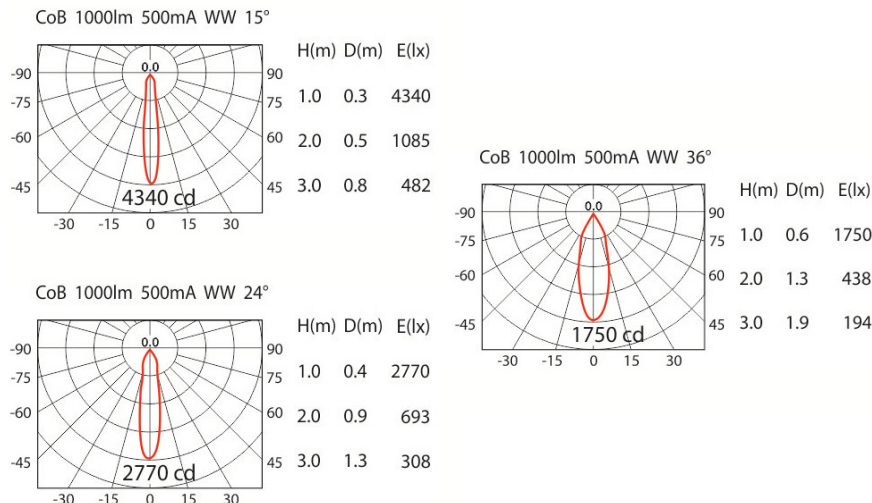
ROHS CE e IP66

- Elegant Exterior LED adjustable spotlight.
- Pressure Die Cast Aluminium Body.
- IP66 and IK06 protection.
- Deep Conical Reflector provides low glare.
- 355° rotation with 140° Tilt.
- Honey Comb & Elliptical Lens accessories available.
- Ideal for highlighting building facades, architectural features, landscape & security lighting.

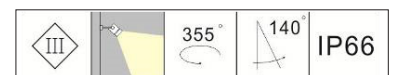
<b>POWER CONSUMPTION</b>	9 Watts
<b>IP RATING</b>	IP66 IK06
<b>LUMINOUS FLUX</b>	1000 lm
<b>EFFICACY</b>	120 lm/w
<b>BEAM ANGLE</b>	15°, 24° & 36°
<b>COLOUR TEMPERATURE</b>	355° rotation with 140° tilt
<b>CRI</b>	3000K & 4000K
<b>MOUNTING ARRANGEMENT</b>	>85
<b>DIMENSIONS</b>	Ø 60 mm x 144mm
<b>POWER FACTOR</b>	>0.90
<b>POWER SUPPLY</b>	100-240V 50-60Hz
<b>LIFE SPAN</b>	50,000 Hrs

CODE	WATTS	CRI	COLOUR TEMP	LUMENS
HER93B	9W	>80	3000K	1000lm
HER94B	9W	>80	4000K	1000lm

### LIGHT DISTRIBUTION



### AVAILABLE ACCESSORIES



\* IES files are available on request