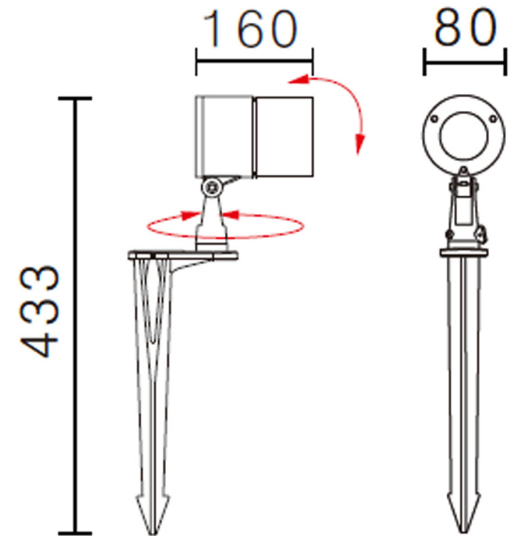


SPIKE B

TECHNICAL SPECIFICATIONS



SVL Lighting



ROHS CE IP66

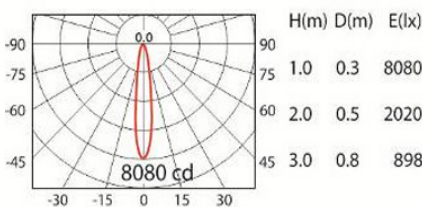
- Elegant compact and versatile stake mount luminaire
- Pressure Die Cast Aluminium Body
- IP66 and IK06 protection
- Deep Conical Reflector provides low glare
- 355° rotation with 140° Tilt
- Honey Comb & Elliptical Lens accessories available
- Ideal for highlighting building facades, architectural features, landscape & security lighting.

POWER CONSUMPTION	13 WATTS
IP RATING	IP66
LUMINOUS FLUX	1500 LM
EFFICACY	120 LM/W
BEAM ANGLE	15°, 24°, 36° & 50°
COLOUR TEMPERATURE	355° ROTATION WITH 140° TILT
CRI	3000K & 4000K
MOUNTING ARRANGEMENT	>85
DIMENSIONS	Ø 80MM x 160MM
POWER FACTOR	>0.90
POWER SUPPLY	24V 50-60Hz
LIFE SPAN	50,000 Hrs

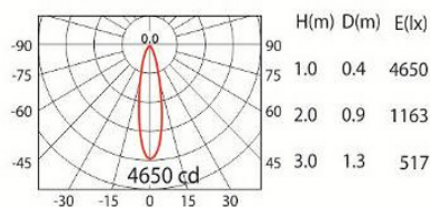
CODE	WATTS	CRI	COLOUR TEMP	LUMENS
SPI133B	13W	>80	3000K	2100lm
SPI134B	13W	>80	4000K	2100lm

LIGHT DISTRIBUTION

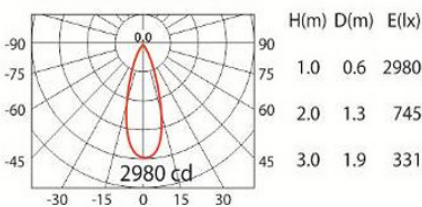
CoB 1500lm 350mA WW 15°



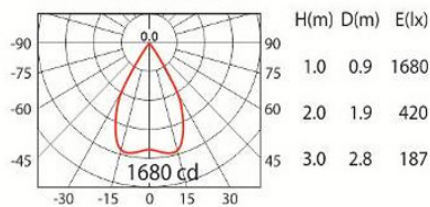
CoB 1500lm 350mA WW 24°



CoB 1500lm 350mA WW 36°



CoB 1500lm 350mA WW 50°



AVAILABLE ACCESSORIES



* IES files are available on request