

# TRUMP 100w

## TECHNICAL SPECIFICATIONS

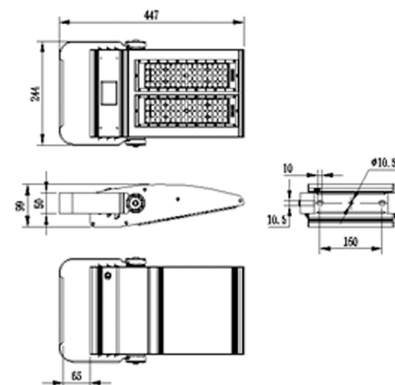


SVL Lighting



ROHS CE IP66

- Stylish, extremely efficient asymmetric floodlights.
- The latest LED technology, offers significant energy and maintenance savings
- Integrated AL 6063 aluminium shell
- Asymmetric Type II (65°x 140°) & Type I (50°x 130° optional) optics
- IP66
- Operating temp -40~+50~
- 5 year warranty
- Optional integrated controls ie: daylight sensors and multiple mounting accessories are available
- 10KV surge protection optional
- Suitable for lighting large areas eg: parks, gardens, courtyards, residential streets and roads.



CODE	WATTS	CRI	COLOUR TEMP	LUMENS
TRU1003B	100w	Ra75	3000K	13,700lm
TRU1004B	100w	Ra75	4000K	14,000lm
TRU1005B	100w	Ra75	5000K	14,000lm

**POWER CONSUMPTION** 100W±5W

**IP RATING** IP66

**LUMINOUS FLUX** 14,000lm

**EFFICACY** 130lm/w

**BEAM ANGLE** 65°x140°(50°x130 optional)

**COLOUR TEMPERATURE** 3K, 4K & 5K

**CRI** 75 Ra

**MOUNTING ARRANGEMENT** Trunion, Spigot

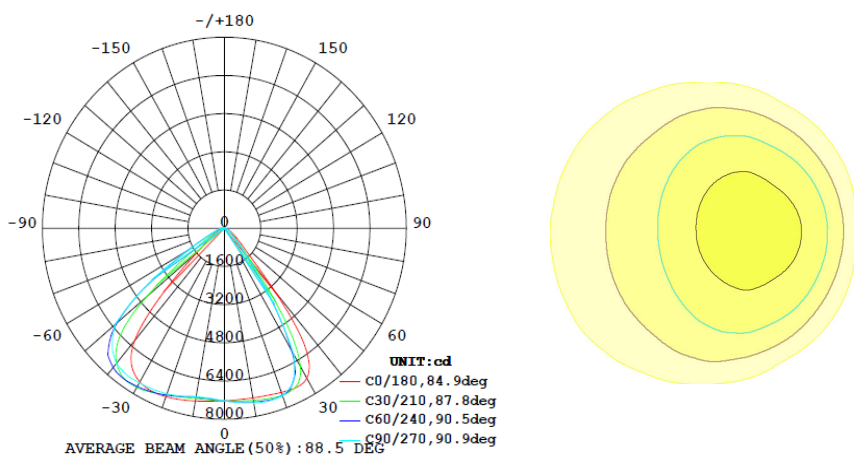
**DIMENSIONS** L570mm×W207mm×H99mm

**POWER FACTOR** ≥0.90

**POWER SUPPLY** 220-240VaC 50-60Hz

**LIFE SPAN** ≥100000 Hrs (TM- 21 L70)

### LIGHT DISTRIBUTION



\* IES files are available on request